



Product manual

Constant air volume damper

KVR

Airflow regulation

Version 1.0.6
Date: 04.02.2026.

KVR

- For maintaining constant air volume in ventilation systems, without additional power supply
- Made of fire retardant plastics
- Covers an air flow range between 15 up to 800 m³/h within a pressure range from 50 up to 250 Pa
- Air flow can easily be adjusted within the airflow range of each damper
- Maximum working temperature 60 °C
- Fire retardant plastics classified M1
- Body, valve and piston made out of fire retardant plastics M1
- Stainless steel calibrated spring
- Rubber air-tight sealing

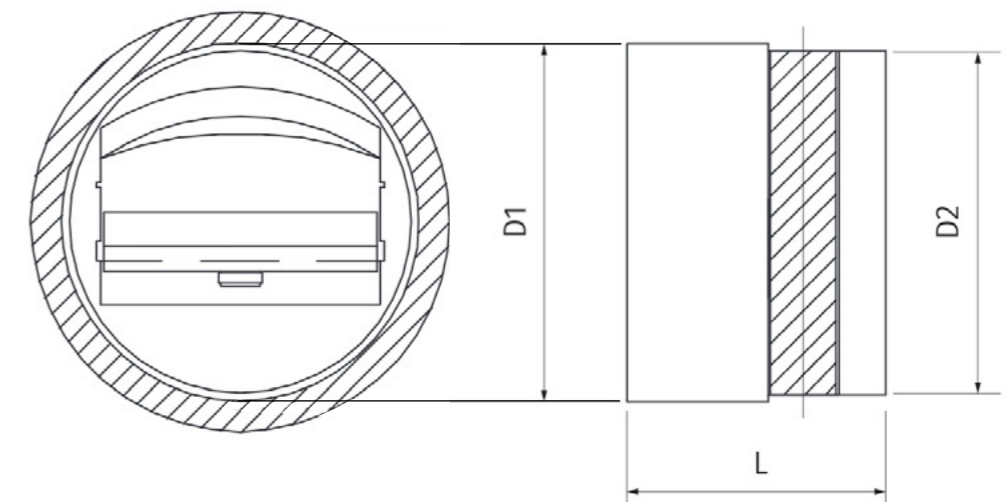


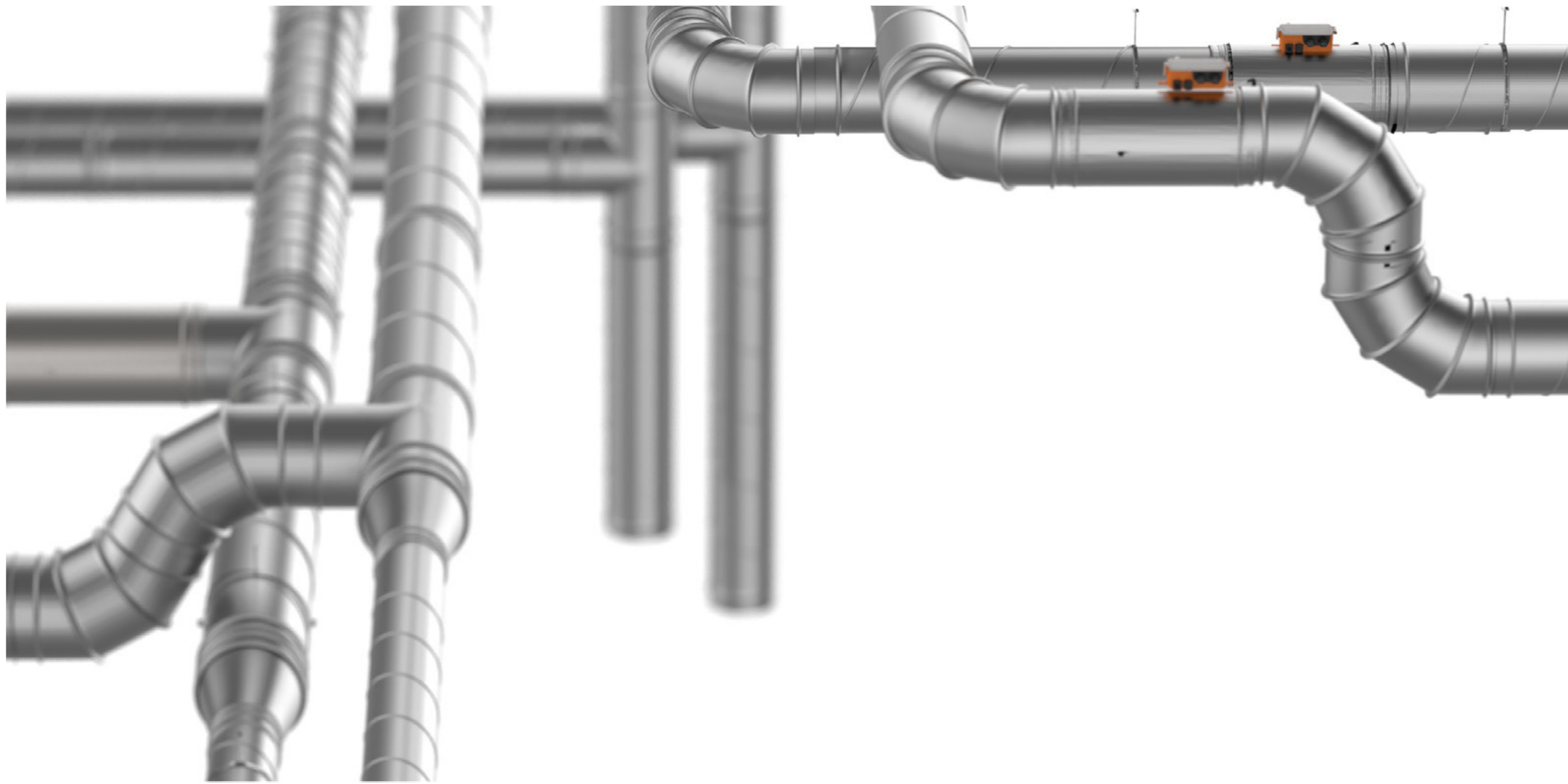
- ▼ [Product overview](#)
- ▼ [Ordering key](#)
- ▼ [Installation](#)
- ▼ [Diagrams](#)
- ▼ [Maintenance](#)



DIMENSIONS

Ø	Air flow options (m ³ /h)	D1 [mm]	D2[mm]	L[mm]
80	15-50	76	73	55
100	15-50 ; 50-100	96	93	70
125	15-50 ; 50-100 ; 100-180	120	117	89
150	15-50 ; 50-100 ; 100-180 ; 180-300	146	148	91
160	15-50 ; 50-100 ; 100-180 ; 180-300	146	148	91
200	100-180 ; 180-300 ; 300-500	190	195	91
250	180-300 ; 300-500 ; 450-800	245	236	127





- ▼ [Product overview](#)
- ▼ [Ordering key](#)
- ▼ [Installation](#)
- ▼ [Diagrams](#)
- ▼ [Maintenance](#)

 ORDERING KEY

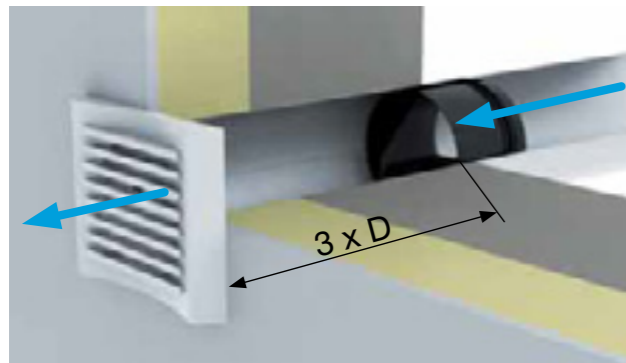
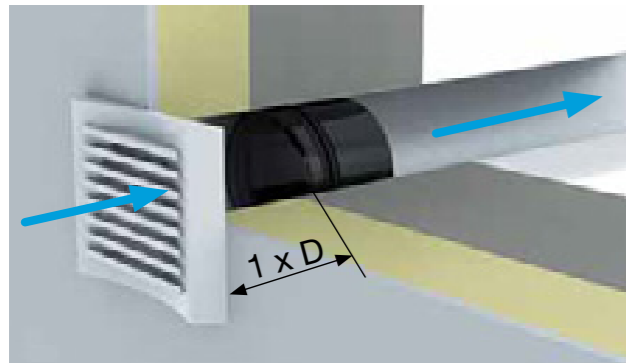
AIRFLOW REGULATION

ORDERING KEY (1) Constant flow regulator (2) Diameter Ø (3) Air flow

KVR-R	-	200	-	(180-300)
--------------	---	------------	---	------------------

- (1) KVR-R
- (2) Diameter: **80, 100, 125, 150, 160, 200, 250**
- (3) Air flow m³/h: **(15-50), (50-100), (100-180), (180-300), (300-500), (450-800)**

Installation process



- To be inserted inside round ducts
- For horizontal or vertical mounting
- When horizontally mounted the marking "BAS" must be horizontal
- To be placed according to the marked airflow direction
- To be placed in air supply at a minimum distance of 3x the duct diameter from air supply grilles and at the same distance close to areas with high turbulence like duct connections, bends,...
- To be placed in air exhaust at a minimum distance of 1x the duct diameter from air exhaust grilles and at the same distance close to areas with high turbulence like duct connections, bends,...
- The flow regulator must be accessible to allow maintenance.
- Required length of straight section before regulator is $L > 3d$. If $L < 3d$, a 10% error in regulation occurs so that kind of installation is not advisable
- Pay attention to airflow direction marking on the regulator. If not correctly installed, regulator will not work
- Maintenance is not required

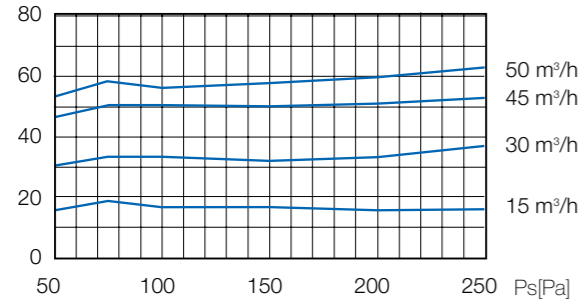
- ▼ [Product overview](#)
- ▼ [Ordering key](#)
- ▼ [Installation](#)
- ▼ [Diagrams](#)
- ▼ [Maintenance](#)



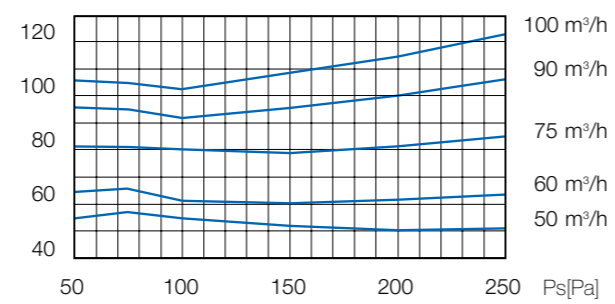
INSTALLATION

Selection diagrams

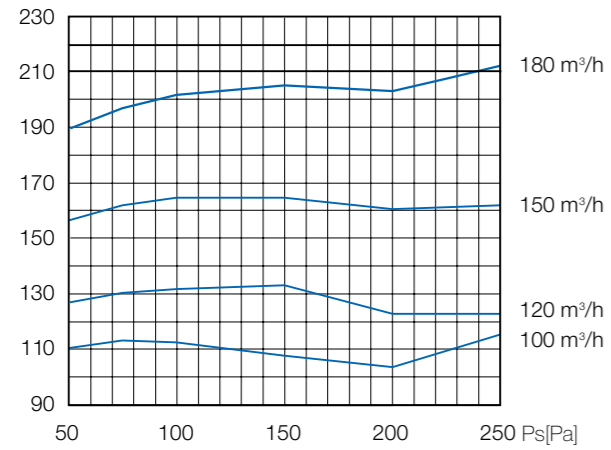
Q[m³/h] Ø80, Ø100, Ø125, 15-50m³/h



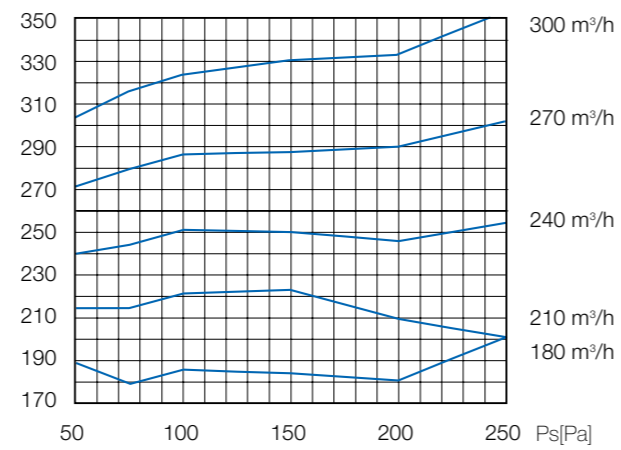
Q[m³/h] Ø100, Ø125, Ø150, Ø160 50-100m³/h



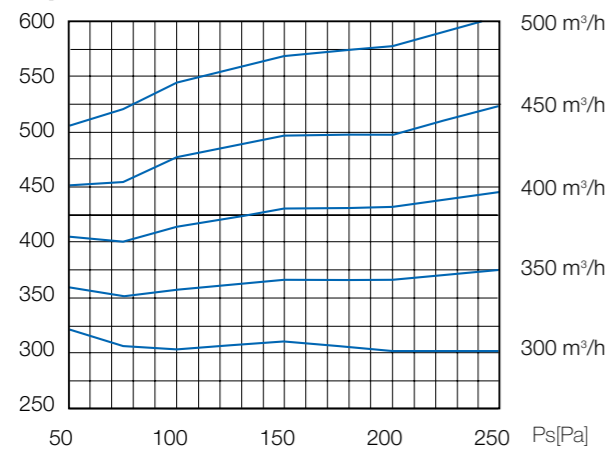
Q[m³/h] Ø125, Ø150, Ø160, Ø200 100-180m³/h



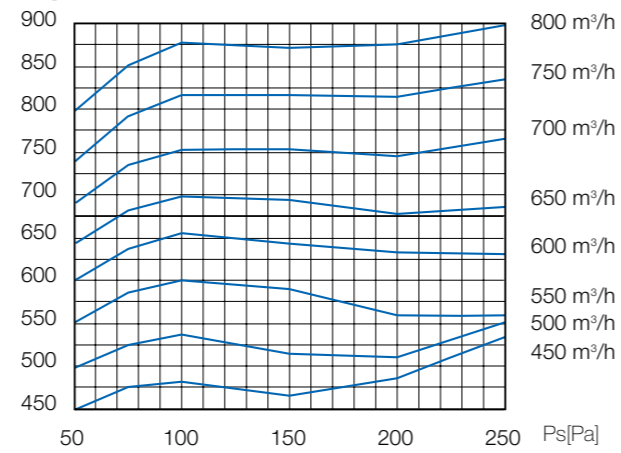
Q[m³/h] Ø150, Ø160, Ø200, Ø250 180-300m³/h



Q[m³/h] Ø200, Ø250 300-500m³/h



Q[m³/h] Ø250 450-750m³/h



- ▼ [Product overview](#)
- ▼ [Ordering key](#)
- ▼ [Installation](#)
- ▼ [Diagrams](#)
- ▼ [Maintenance](#)

DIAGRAMS



- ▼ [Product overview](#)
- ▼ [Ordering key](#)
- ▼ [Installation](#)
- ▼ [Diagrams](#)
- ▼ [Maintenance](#)



TRANSPORT

After arrival, check the damper for transport damage and shortcomings. In case of any damage or shortcomings, immediately contact your supplier.

STORAGE

If the damper is not installed immediately:

- Remove any wrapping.
- Protect damper from dust and contamination.
- Do not expose the product to the effects of weather - store fire damper in a dry place.
- Do not store the unit below -20 °C or above 50 °C.

Please properly dispose of packaging material!

MAINTENANCE AND OPERATION

Activation mechanism should be inspected for proper operation on regular basis.

- Provide at least one annual check of the damper
- After each intervention, provide a systematic cleaning of dust
- Cleaning instruction: clean with a sponge, with water or a mild detergent
- Disinfection instruction: spray disinfectant (disinfectant may contain alcohol which is flammable, take precaution to avoid ignition)

It is not permitted to alter the dampers in any way nor perform any changes to their structure without the manufacturer's consent. The functional test must be carried out in compliance with the basic maintenance principles of the European norms.


COMMISSIONING

- Carefully unpack KVR - be careful of sharp edges and do not use excessive force for unpacking
- Inspect the product - check the damper for damage
- Before commissioning: check the product functions



AIRFLOW REGULATION

Images are for informational purposes only and may differ from the actual product.
Follow the latest versions of the catalog on the website.

-  Gradna 78A, 10430 Samobor, Croatia
-  +385 (0)1 33 62 513
-  info@klimaoprema.com
-  www.klimaoprema.com